

# Classe H4 Bordo Laterale - Barriera 3 onde singola su rilevato W6

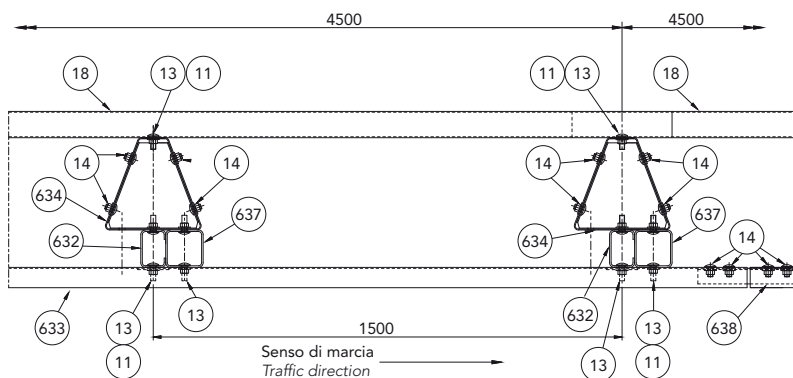
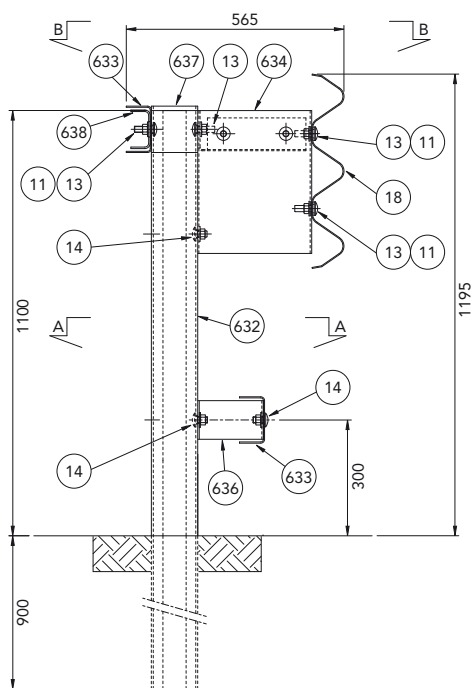
CE n. AISICO  
015/CPD/2009

Class H4 Roadside - 3-waves single sided guardrail W6

Aufhaltestufe H4 für rammfähige Böden - 3-welliges Rückhaltesystem W6

Classe H4 Bord latéral - Glissière 3 crosses simple sur remblai W6

Clase H4 Borde lateral - Barrera de triple onda simple sobre base terreno W6

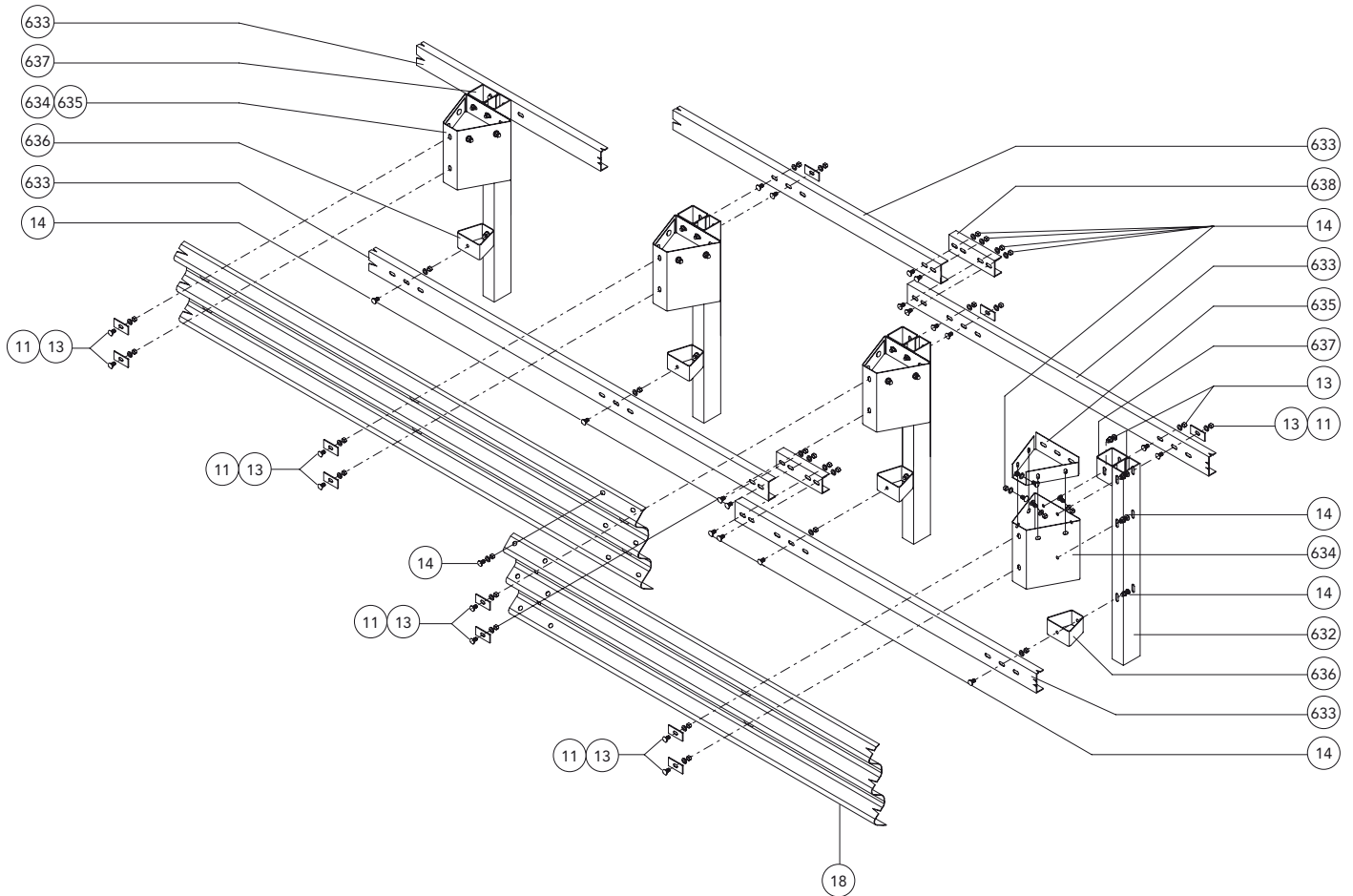
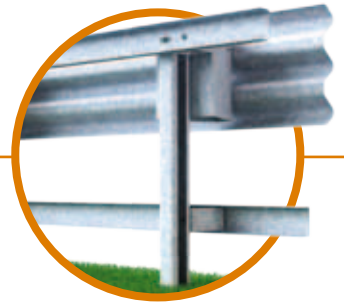


## Caratteristiche Characteristics, Eigenschaften, Caractéristiques, Características

|   |              |
|---|--------------|
| <b>Altezza fuori terra</b> Height above ground level, Höhe über Grundboden, Hauteur hors sol, Altura sobre el suelo | 1195 ± 50 mm |
| <b>Profondità d'infissione</b> Depth of penetration, Rammtiefe, Profondeur de piling du poteau, Longitud hincada    | 900 mm       |
| <b>Ingombro trasversale</b> Overall width, Gesamtbreite, Grosseur hors tout, Anchura total                          | 565 mm       |
| <b>Interasse pali</b> Post spacing, Steherabstand, Distance entre poteaux, Distancia entre postes                   | 1500 mm      |

## Rapporti di prova Crash test reports, Testberichte, Comptes rendus d'essais, Relaciones de pruebas

| Test n.   | Facility | Test | Type         | Barrier length m | Mass kg | Speed km/h | ASI max 1.4 | THIV max 33 km/h | D m | Vi m | W m    |
|-----------|----------|------|--------------|------------------|---------|------------|-------------|------------------|-----|------|--------|
| PROVA 362 | Aisico   | TB81 | Laterale 20° | 90               | 38.000  | 65         |             |                  | 1,7 | 2,4  | 1,9=W6 |
| PROVA 380 | Aisico   | TB11 | Laterale 20° | 90               | 900     | 100        | 1=A         | 24,6             | 0,4 |      | 1=W3   |



### Componenti Components, Bauteile, Composants, Elementos

|     | Descrizione<br>Description  |                                   | Materiale<br>Material | Codice<br>Code  |
|-----|---|-----------------------------------|-----------------------|-----------------|
| 638 | <b>Manicotto di giunzione per corrente</b> <i>Coupling box rear reinforcement, Verbindungsmuffe für Längsträger, Jonction poutre, Conector</i>  |                                   | S 235 JR              | <b>59601041</b> |
| 637 | <b>Tubo quadro antirotazione</b> <i>Anti-rotation square tube, Anti-Rotations-Vierkanrohr, Tube carré antirotation, Tubo cuadrado anti-rotación</i>                                   | 120x120 Th=5 H=120 mm             | S 235 JR              | <b>59601039</b> |
| 636 | <b>Distanziatore trapezoidale inferiore</b> <i>Trapezoidal lower spacer, Unterer trapezförmiger Abstandhalter, Entretoise trapézoïdale inférieure, Separador trapezoidal inferior</i> |                                   | S 275 JR              | <b>59601037</b> |
| 635 | <b>Piastra di chiusura superiore</b> <i>Upper covering plate, Obere Abdeckplatte, Plaque de recouvrement supérieure, Placa de cierre superior</i>                                     |                                   | S 235 JR              | <b>59601035</b> |
| 634 | <b>Distanziatore trapezoidale superiore</b> <i>Trapezoidal upper spacer, Oberer trapezförmiger Abstandhalter, Entretoise trapézoïdale supérieure, Separador trapezoidal superior</i>  |                                   | S 235 JR              | <b>59601032</b> |
| 633 | <b>Corrente "U"</b> <i>U-rear reinforcement, U-Längsträger, Poutre en U, Larguero "U"</i>   | 120x65 Th=3<br>L=4490 (1500x3) mm | S 235 JR              | <b>59500093</b> |
| 632 | <b>Palo "C"</b> <i>C-post, C-Steher, Poteau en C, Poste "C"</i>   | 120x80x30 Th=5 H=2000 mm          | S 235 JR              | <b>59400448</b> |
| 18  | <b>Fascia 3 onde</b> <i>3-waves beam, 3-wellige Leitschiene, Glissière 3 crosses, Banda triple onda</i>   | L=4500 (1500x3) Th=3 mm           | S 235 JR              | <b>59300079</b> |
| 14  | <b>Bullone completo</b> <i>Bolt with nut and washer, Schraube komplett,</i>   | M16x30 mm                         | Classe 8.8            | <b>63800012</b> |
| 13  | <i>Boulon complet, Tornillo completo con tuerca y arandela</i>  | M16x50 mm                         | Classe 8.8            | <b>63800014</b> |
| 11  | <b>Piastrina copriassola</b> <i>Slot covering plate, Lochabdeckplatte, Plaque de couverture fente, Placa cubre-ranura</i>   | 100x40x4 mm                       | S 275 JR              | <b>59600127</b> |